

6 5 4 3 2 1

D

D

C

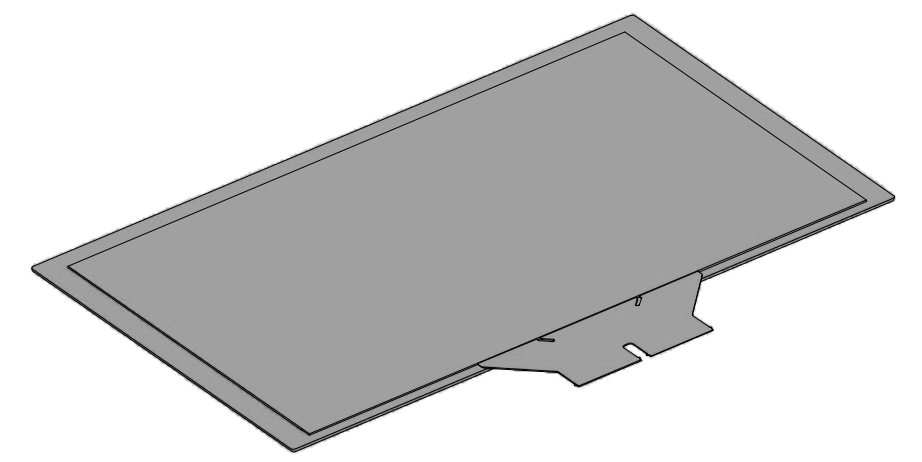
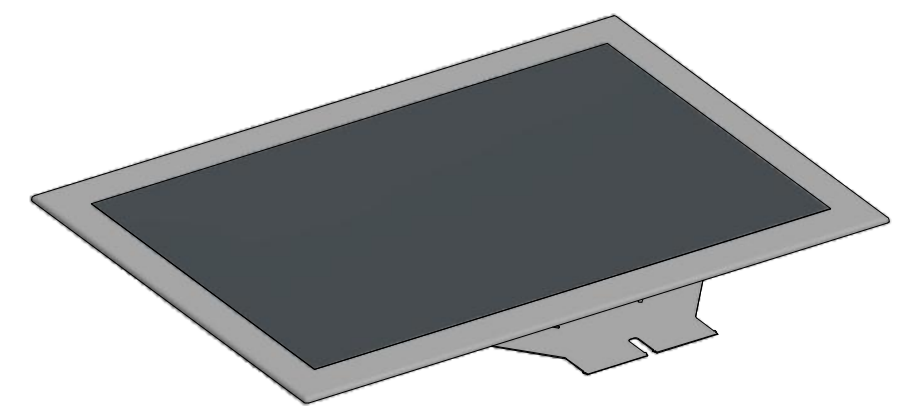
C


B

B

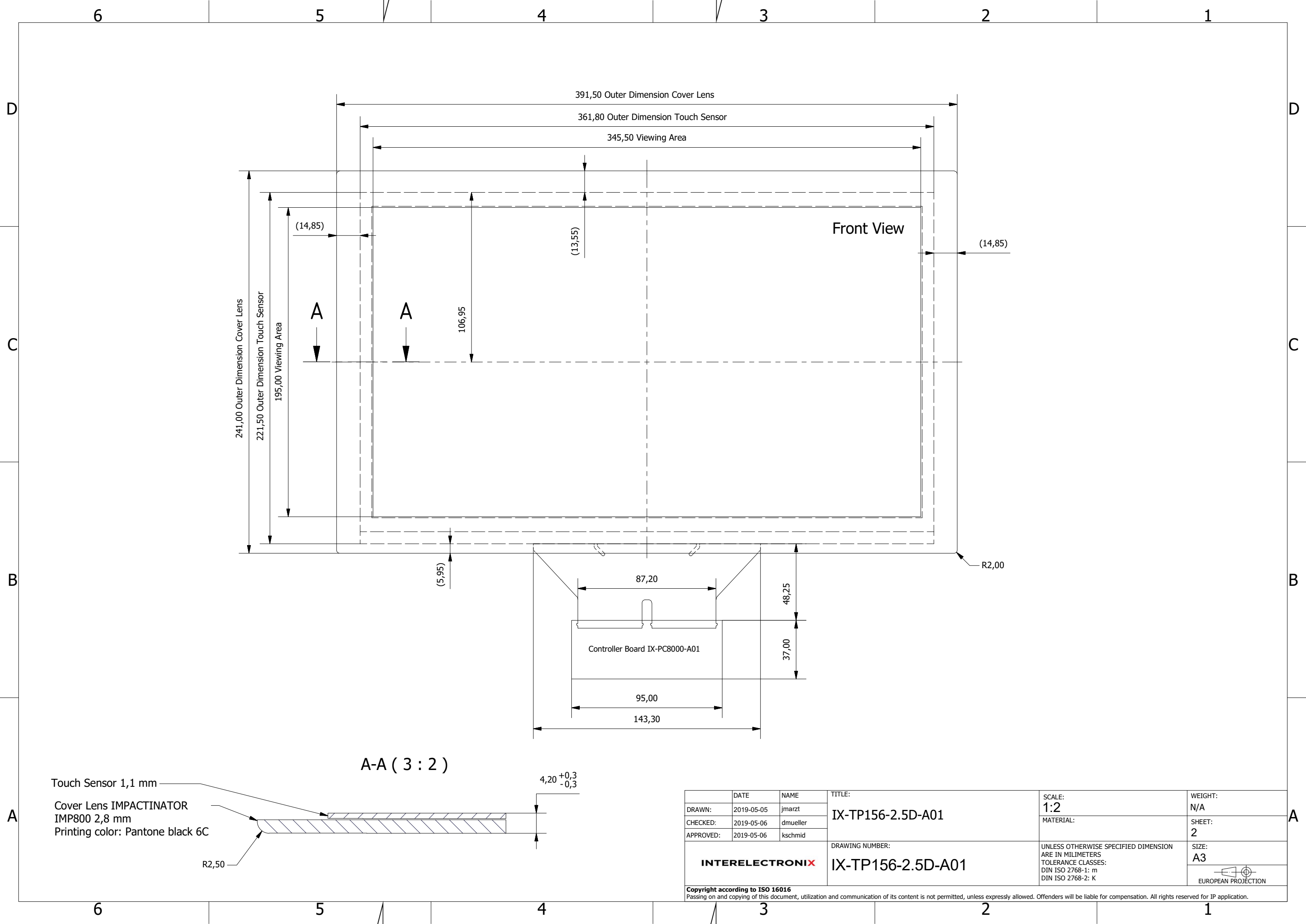
A

A



REVISION HISTORY					
Version	REV	DESCRIPTION		DATE	APPROVED
A	01	initial		2019-05-06	kschmid
	DATE	NAME	TITLE:	SCALE:	WEIGHT:
DRAWN:	2019-05-05	jmarzt	IX-TP156-2.5D-A01	1:2	N/A
CHECKED:	2019-05-06	dmueller		MATERIAL:	SHEET:
APPROVED:	2019-05-06	kschmid			1
INTERELECTRONIX			DRAWING NUMBER:	UNLESS OTHERWISE SPECIFIED DIMENSION ARE IN MILLIMETERS	SIZE:
			IX-TP156-2.5D-A01	TOLERANCE CLASSES:	A3
				DIN ISO 2768-1: m	 EUROPEAN PROJECTION
				DIN ISO 2768-2: K	
<small>Copyright according to ISO 16016 Passing on and copying of this document, utilization and communication of its content is not permitted, unless expressly allowed. Offenders will be liable for compensation. All rights reserved for IP application.</small>					

6 5 4 3 2 1



391,50 Outer Dimension Cover Lens

361,80 Outer Dimension Touch Sensor

345,50 Viewing Area

Front View

(14,85)

(13,55)

(14,85)

A

A

106,95

241,00 Outer Dimension Cover Lens

221,50 Outer Dimension Touch Sensor

195,00 Viewing Area

(5,95)

87,20

48,25

Controller Board IX-PC8000-A01

95,00

143,30

R2,00

A-A (3:2)

4,20 ^{+0,3} _{-0,3}

Touch Sensor 1,1 mm

Cover Lens IMPACTINATOR

IMP800 2,8 mm

Printing color: Pantone black 6C

R2,50

	DATE	NAME	TITLE:	SCALE:	WEIGHT:
DRAWN:	2019-05-05	jmarzt	IX-TP156-2.5D-A01	1:2	N/A
CHECKED:	2019-05-06	dmueller		MATERIAL:	SHEET:
APPROVED:	2019-05-06	kschmid			2
			DRAWING NUMBER:	UNLESS OTHERWISE SPECIFIED DIMENSION ARE IN MILLIMETERS	SIZE:
			INTERELECTRONIX IX-TP156-2.5D-A01	TOLERANCE CLASSES:	A3
				DIN ISO 2768-1: m	 EUROPEAN PROJECTION
				DIN ISO 2768-2: K	

Copyright according to ISO 16016
 Passing on and copying of this document, utilization and communication of its content is not permitted, unless expressly allowed. Offenders will be liable for compensation. All rights reserved for IP application.